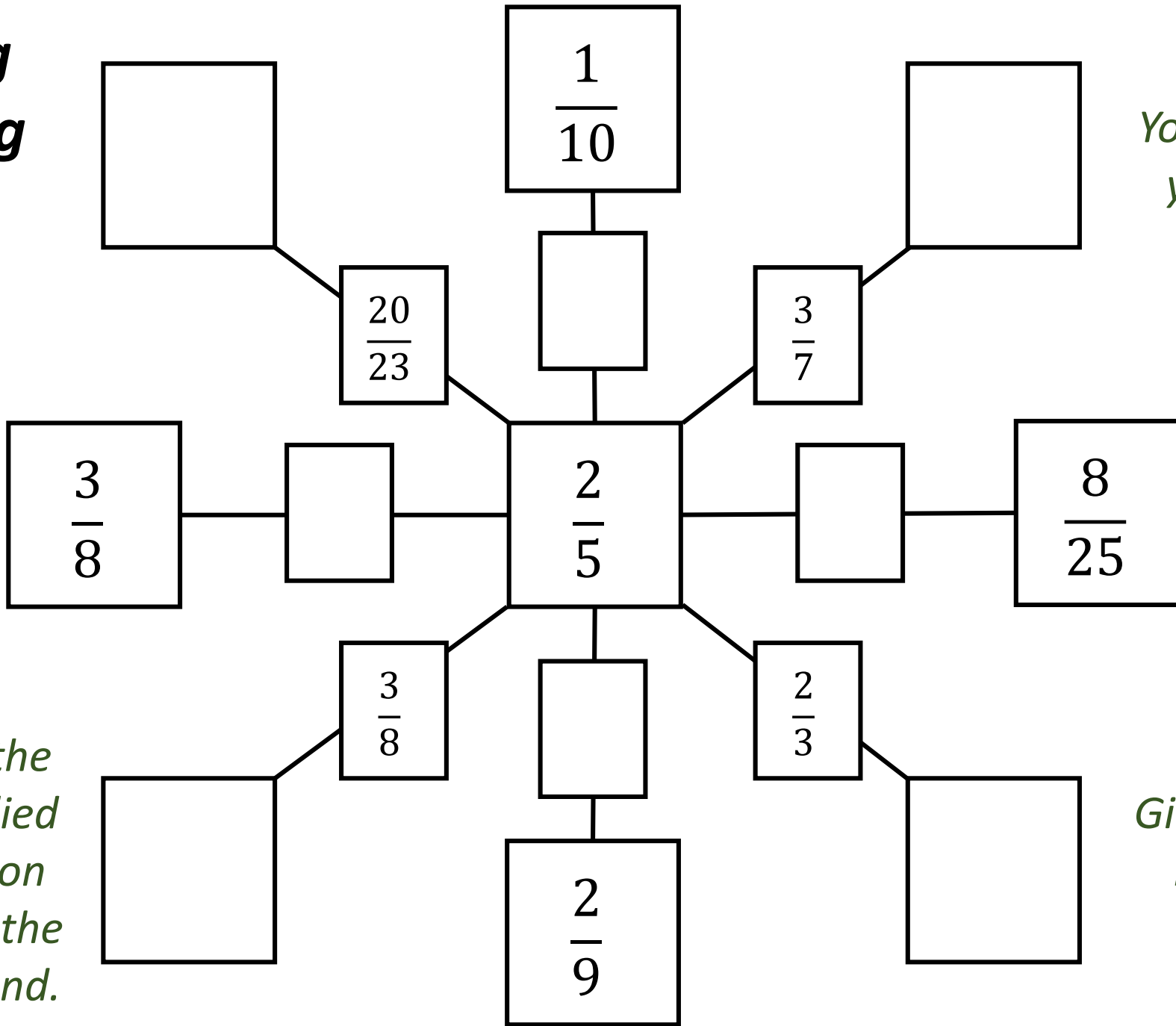


***Multiplying  
and Dividing  
Fractions  
Spider 1***

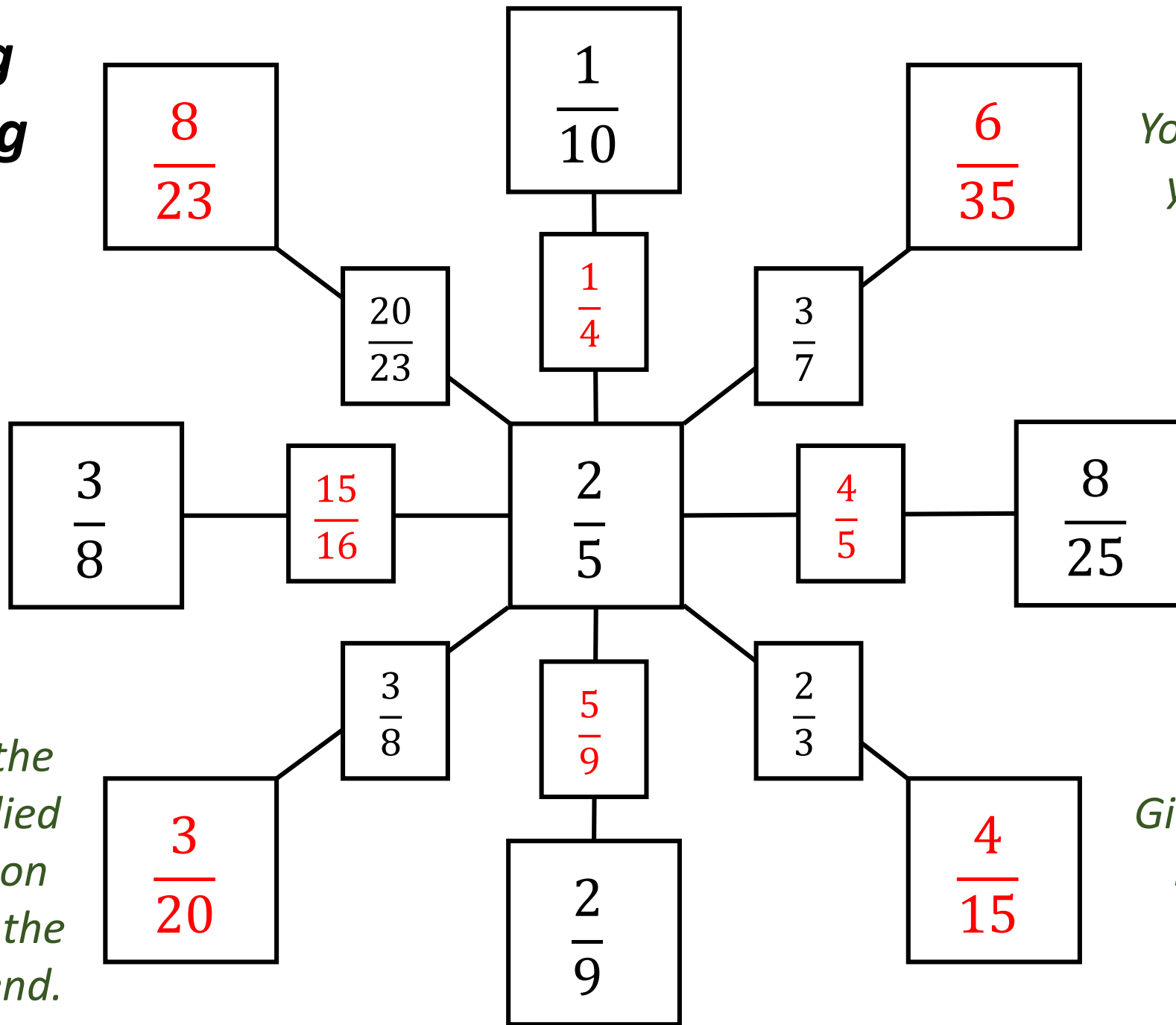


*You must show all  
your workings!*

*The fraction in the  
centre is multiplied  
by the fraction on  
each leg to give the  
fraction at the end.*

*Give your answers  
in their lowest  
terms.*

***Multiplying  
and Dividing  
Fractions  
Spider 1 -  
Answers***

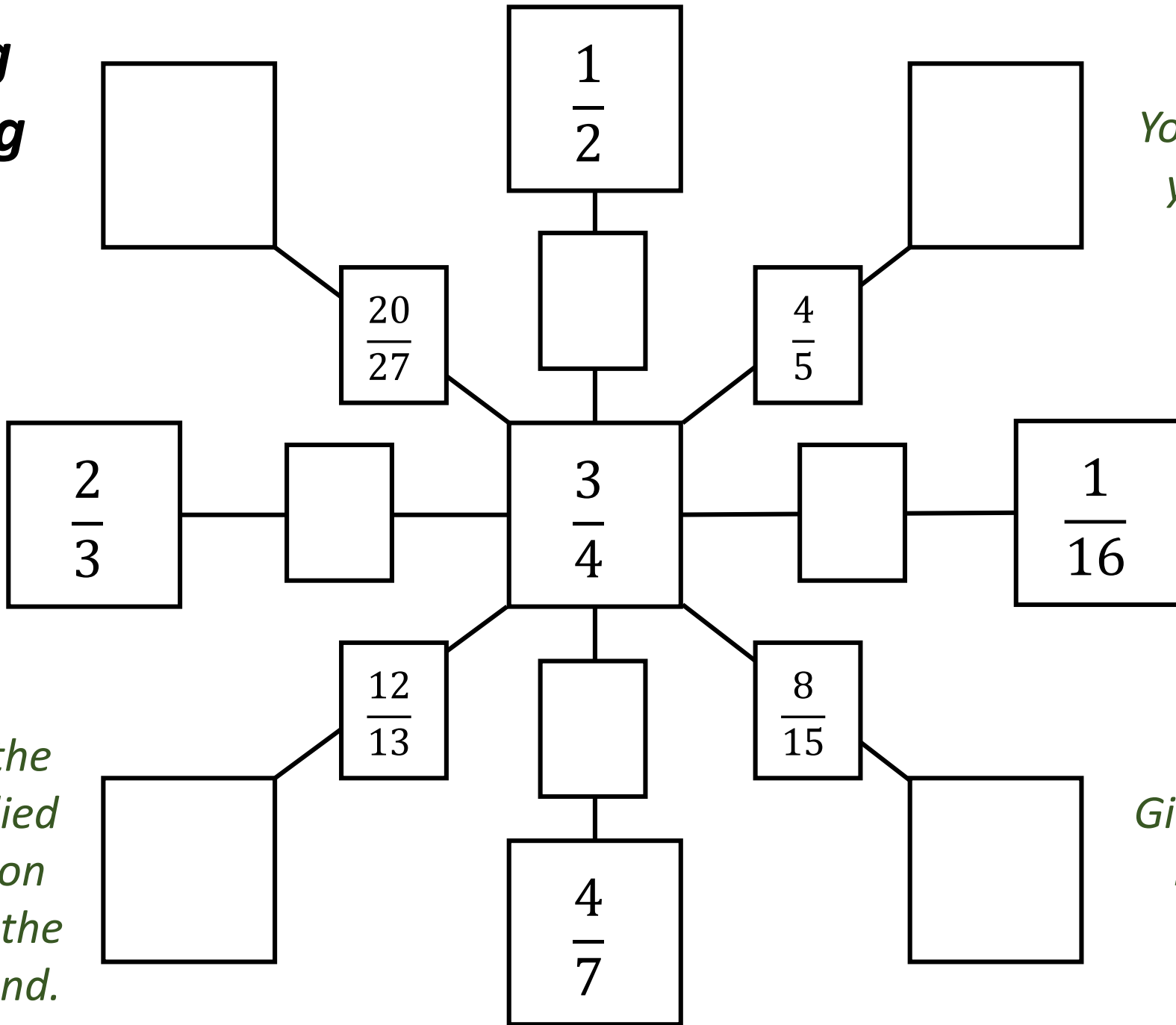


*You must show all  
your workings!*

*The fraction in the  
centre is multiplied  
by the fraction on  
each leg to give the  
fraction at the end.*

*Give your answers  
in their lowest  
terms.*

***Multiplying  
and Dividing  
Fractions  
Spider 2***

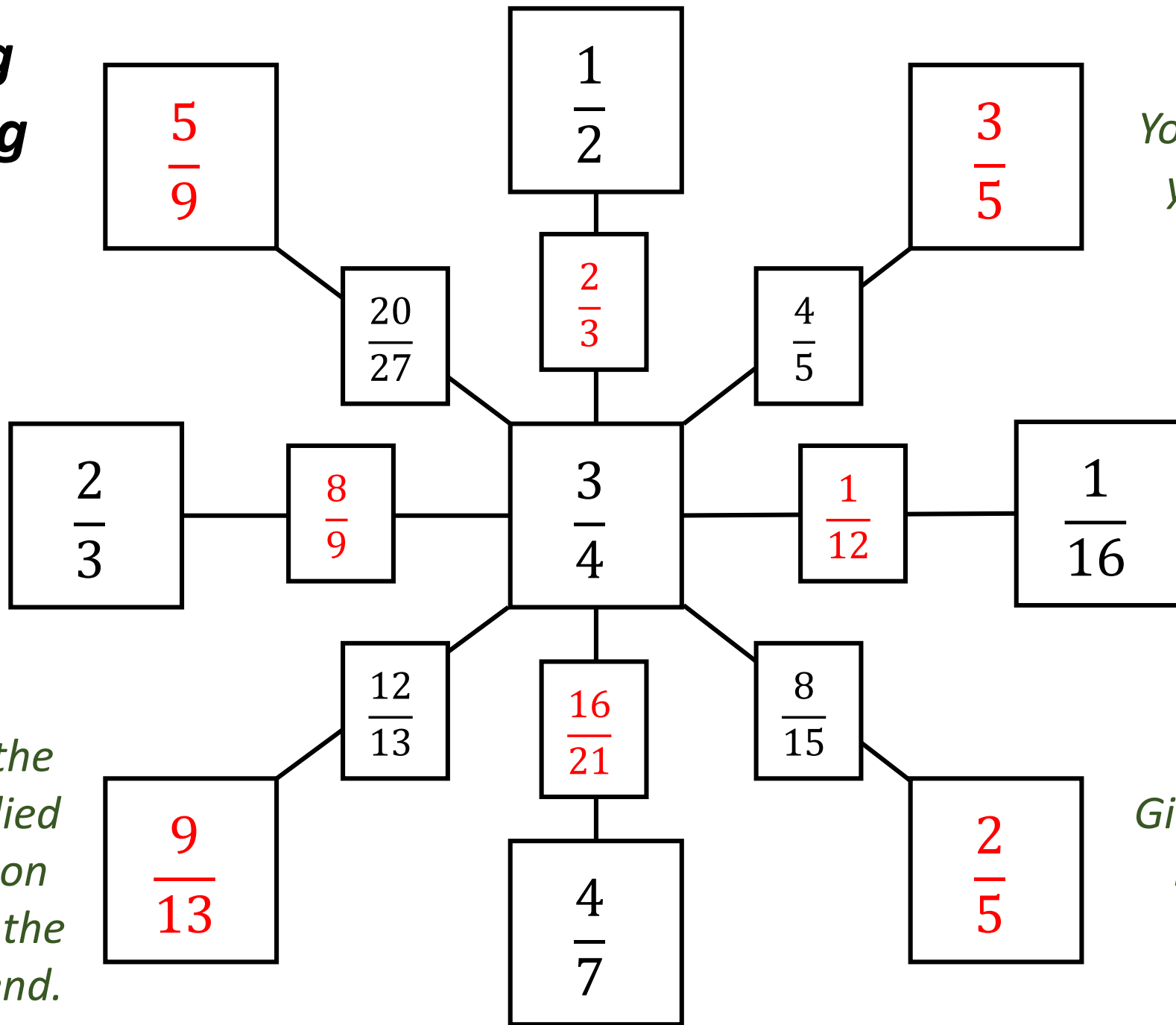


*You must show all  
your workings!*

*The fraction in the  
centre is multiplied  
by the fraction on  
each leg to give the  
fraction at the end.*

*Give your answers  
in their lowest  
terms.*

***Multiplying  
and Dividing  
Fractions  
Spider 2 -  
Answers***

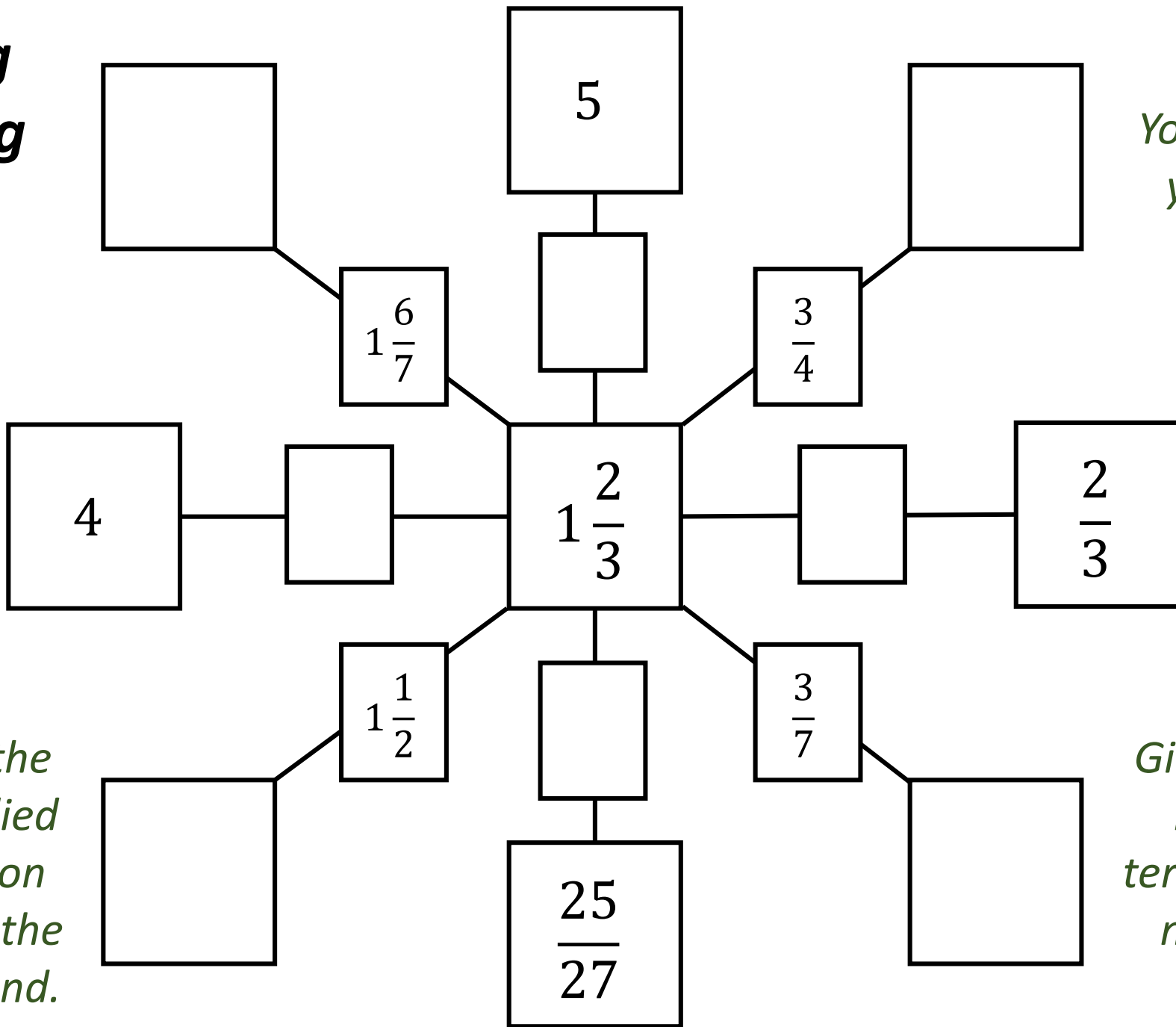


*You must show all  
your workings!*

*The fraction in the  
centre is multiplied  
by the fraction on  
each leg to give the  
fraction at the end.*

*Give your answers  
in their lowest  
terms.*

***Multiplying  
and Dividing  
Fractions  
Spider 3***

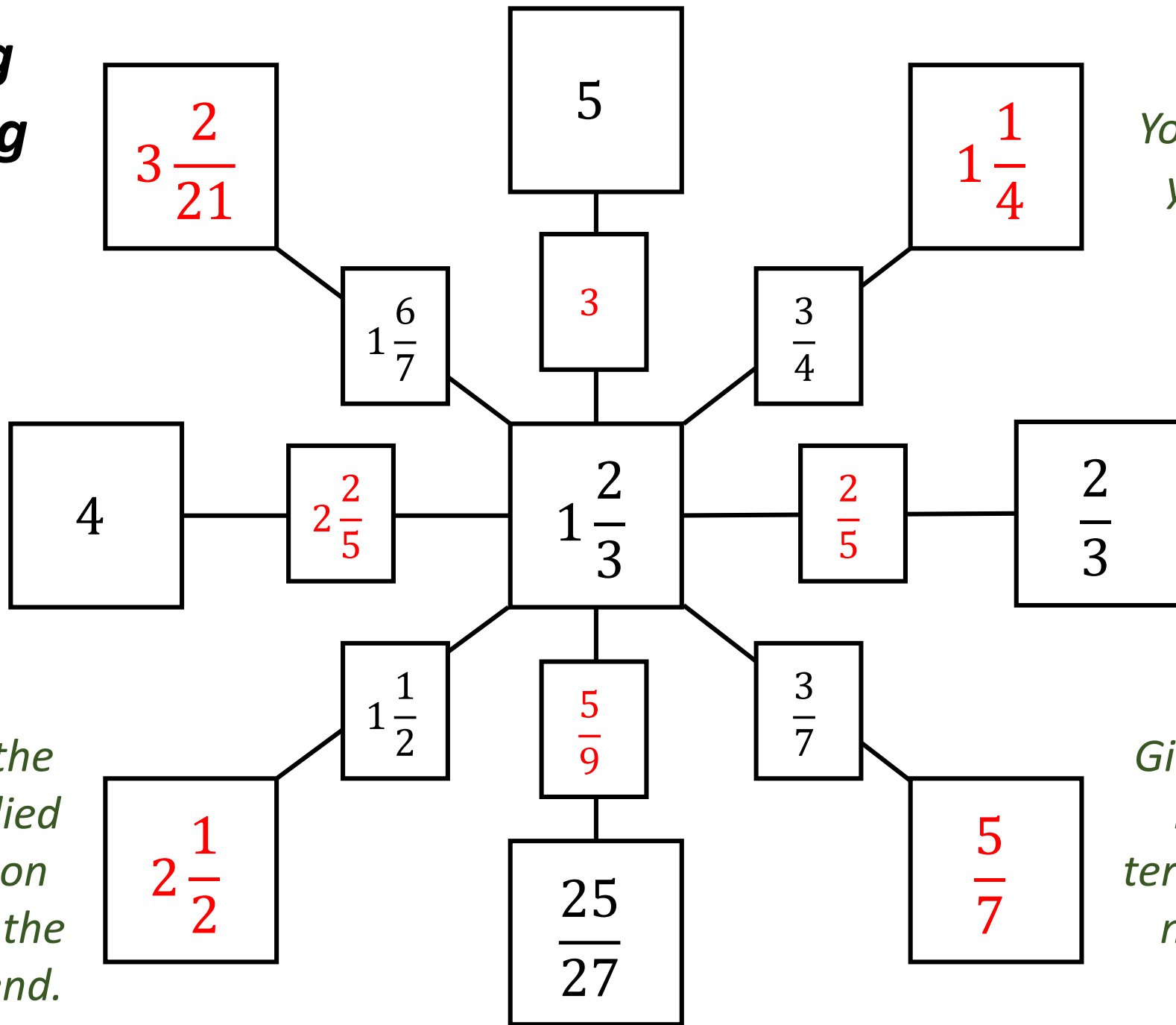


*You must show all  
your workings!*

*The fraction in the  
centre is multiplied  
by the fraction on  
each leg to give the  
fraction at the end.*

*Give your answers  
in their lowest  
terms and as mixed  
numbers where  
necessary.*

***Multiplying  
and Dividing  
Fractions  
Spider 3 -  
Answers***

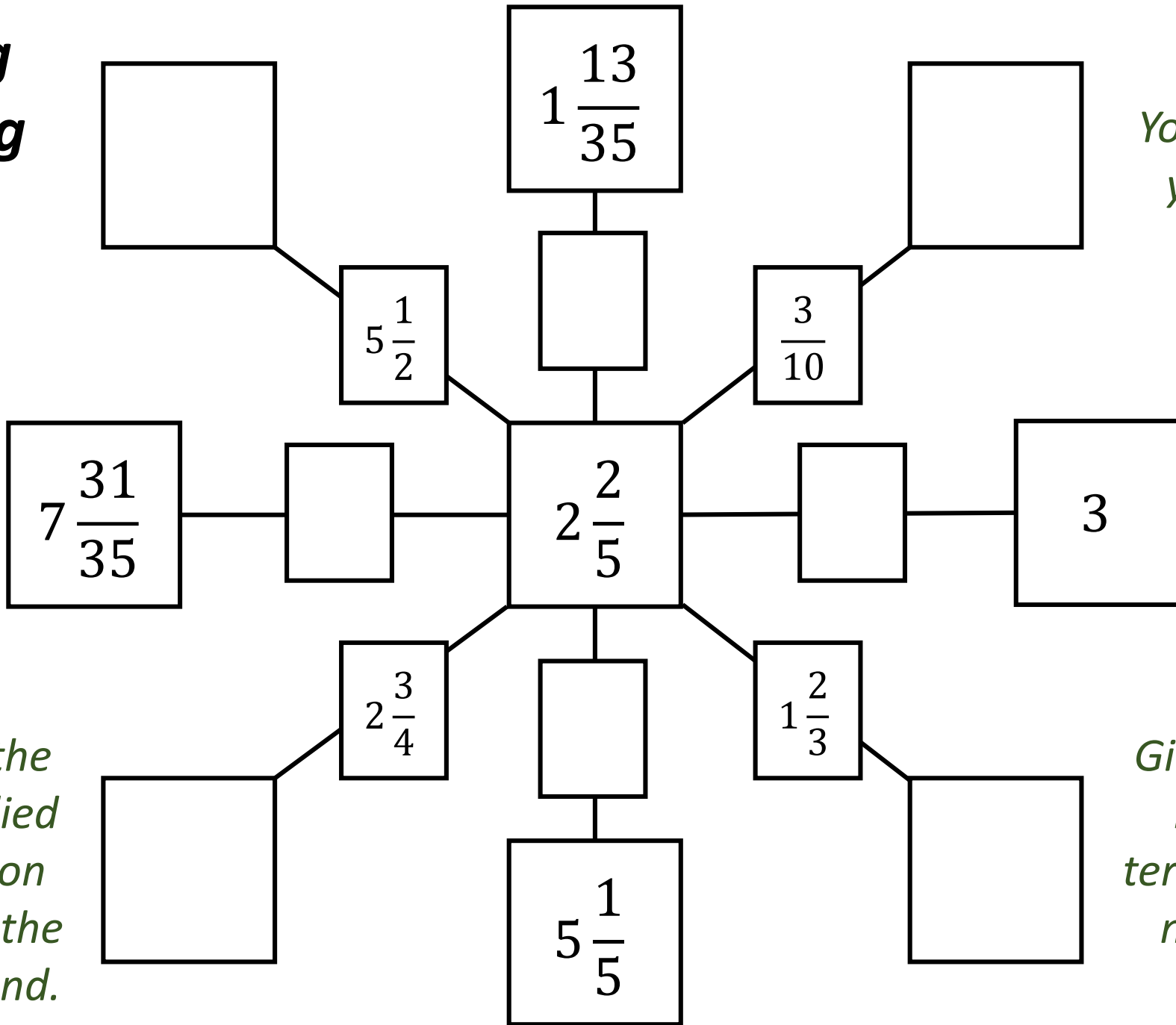


*You must show all  
your workings!*

*The fraction in the  
centre is multiplied  
by the fraction on  
each leg to give the  
fraction at the end.*

*Give your answers  
in their lowest  
terms and as mixed  
numbers where  
necessary.*

***Multiplying  
and Dividing  
Fractions  
Spider 4***

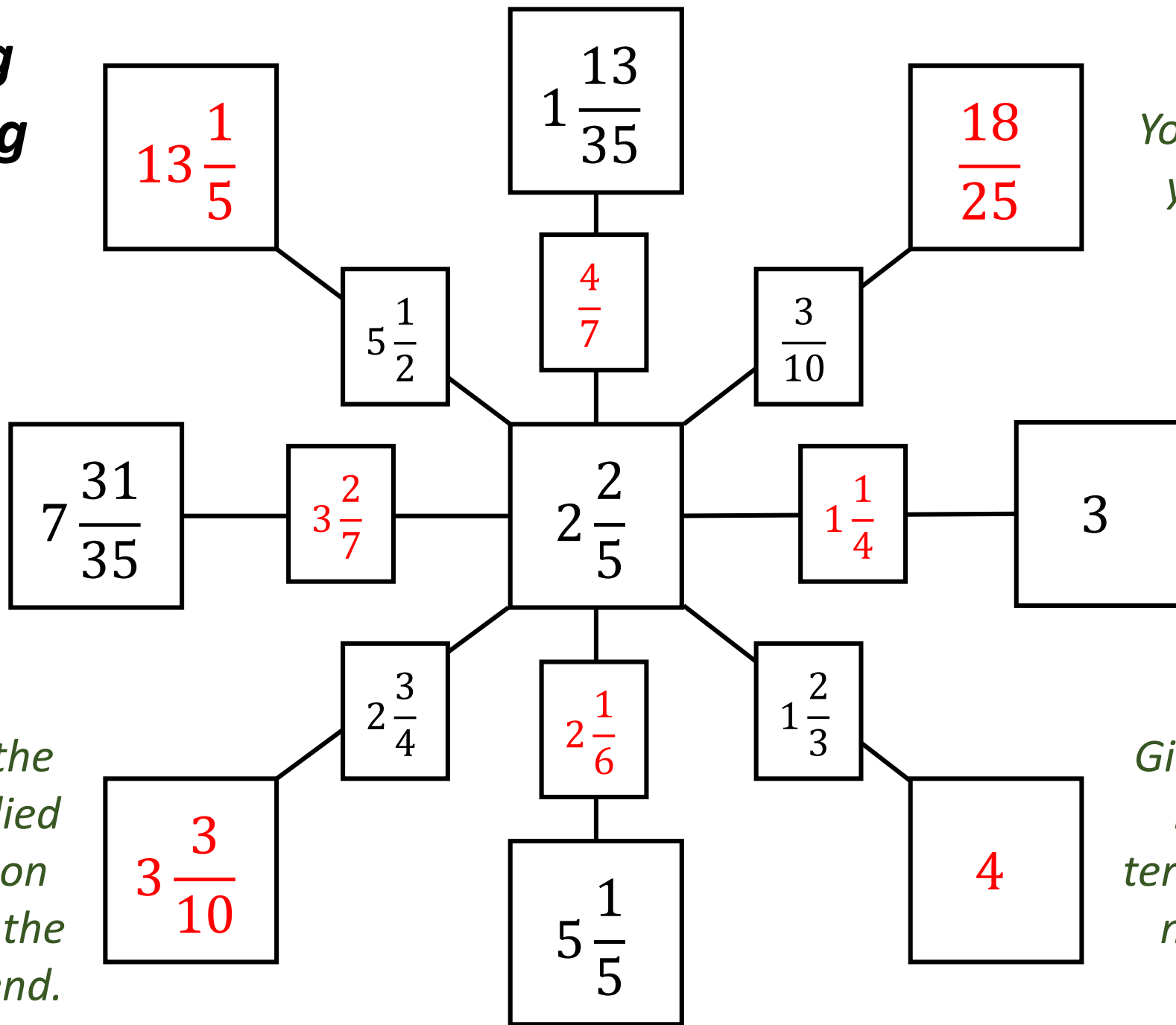


*You must show all  
your workings!*

*The fraction in the  
centre is multiplied  
by the fraction on  
each leg to give the  
fraction at the end.*

*Give your answers  
in their lowest  
terms and as mixed  
numbers where  
necessary.*

***Multiplying  
and Dividing  
Fractions  
Spider 4 -  
Answers***



*You must show all  
your workings!*

*The fraction in the  
centre is multiplied  
by the fraction on  
each leg to give the  
fraction at the end.*

*Give your answers  
in their lowest  
terms and as mixed  
numbers where  
necessary.*