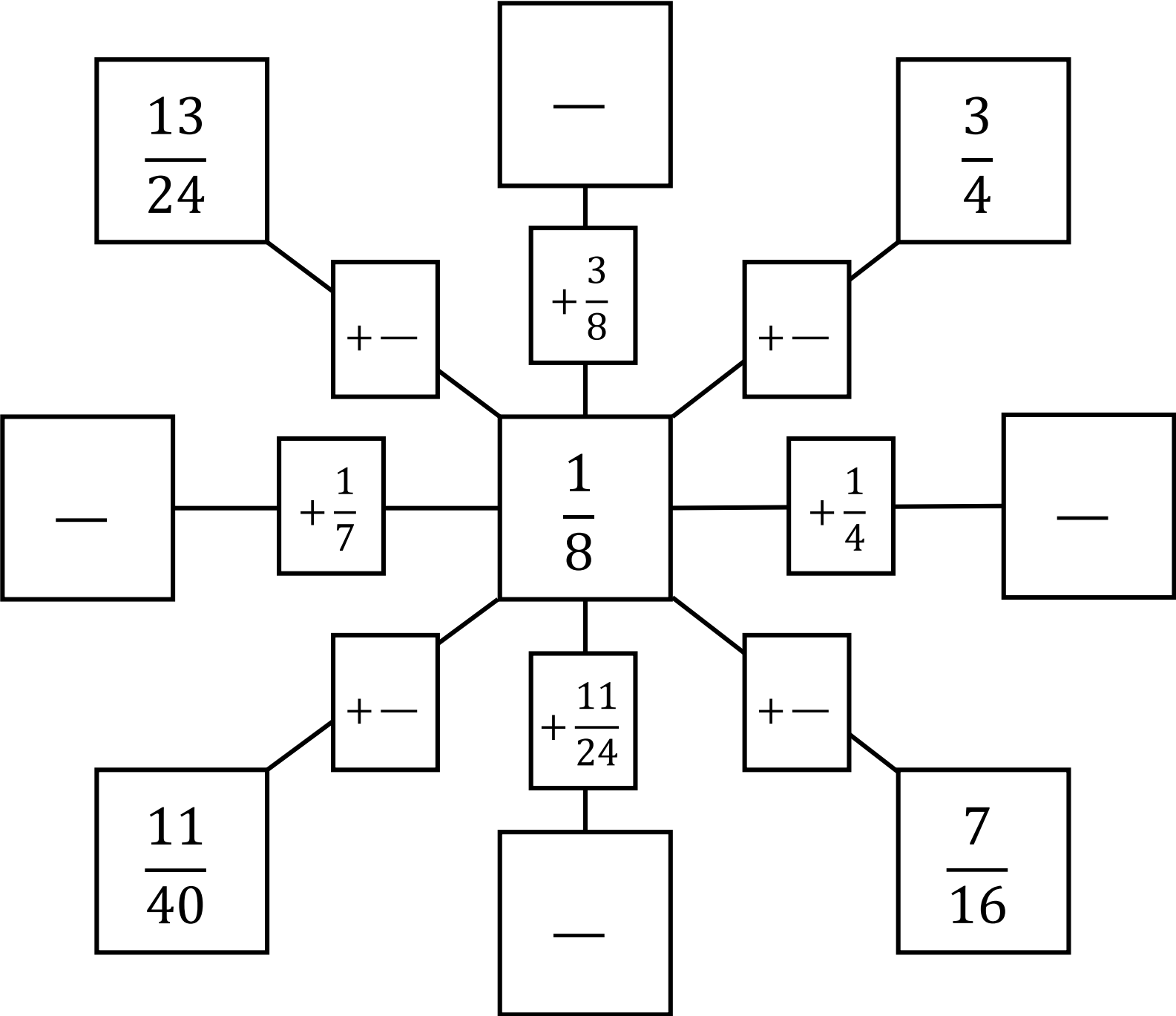
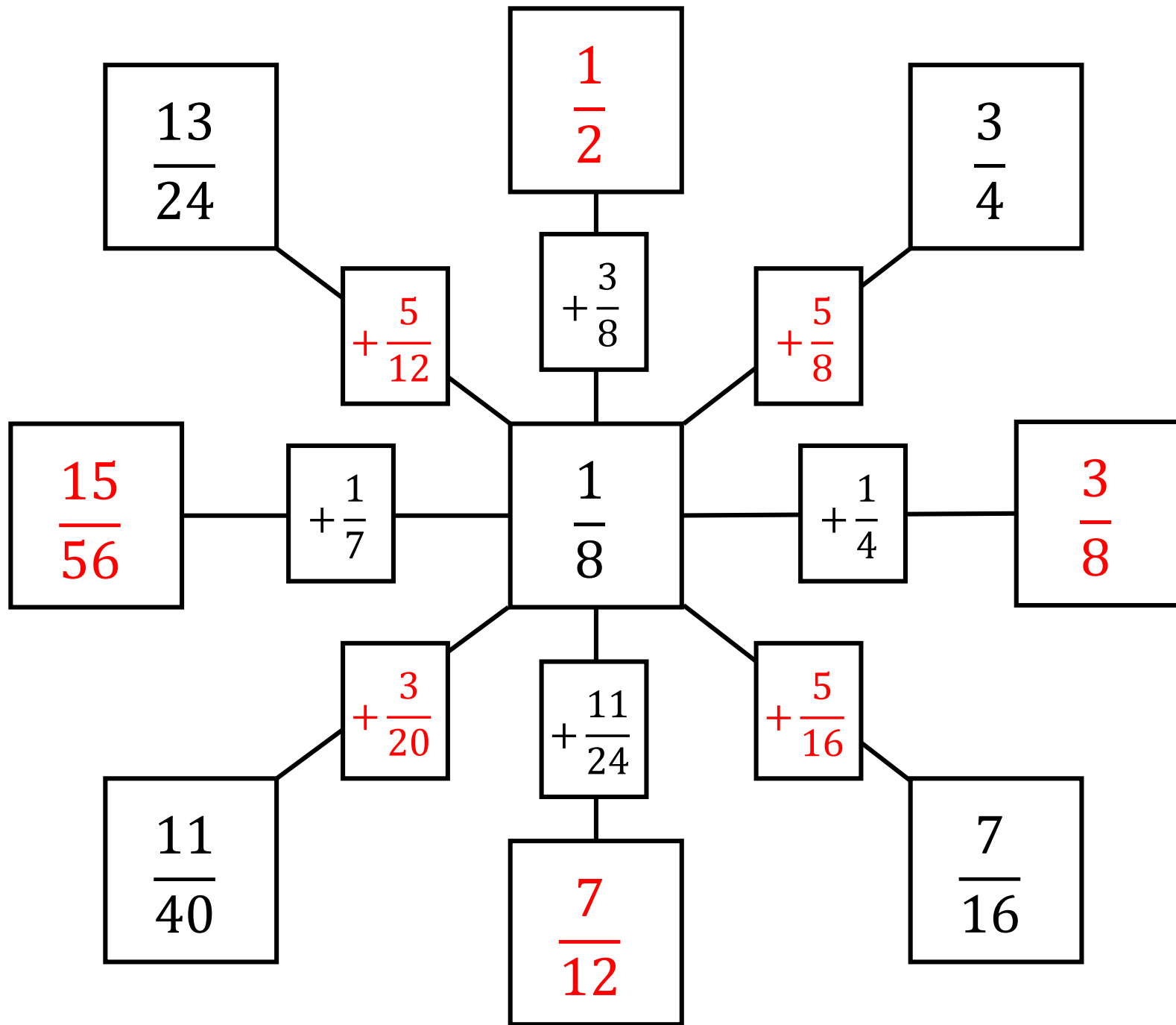


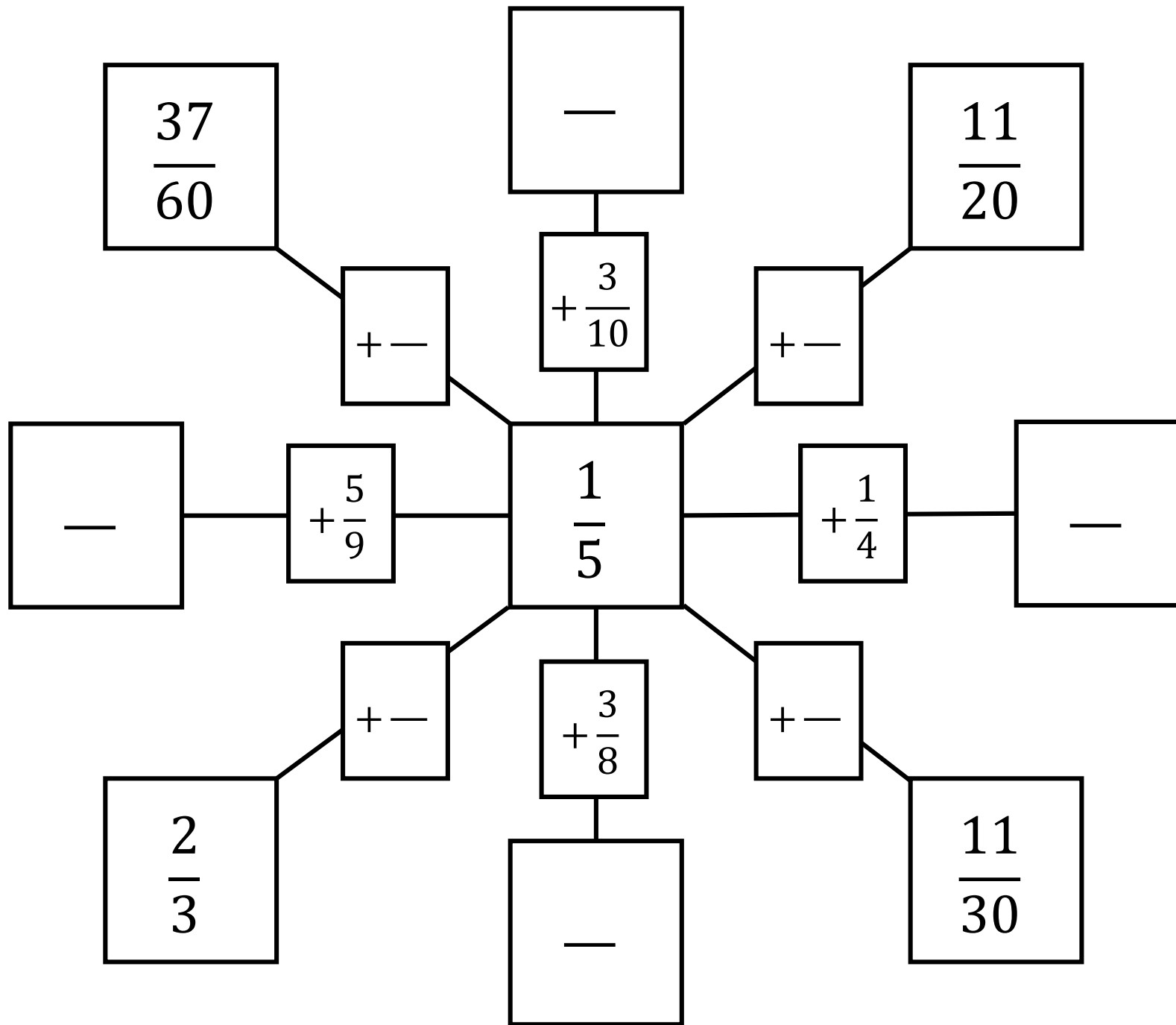
***Fraction
Spider 1***



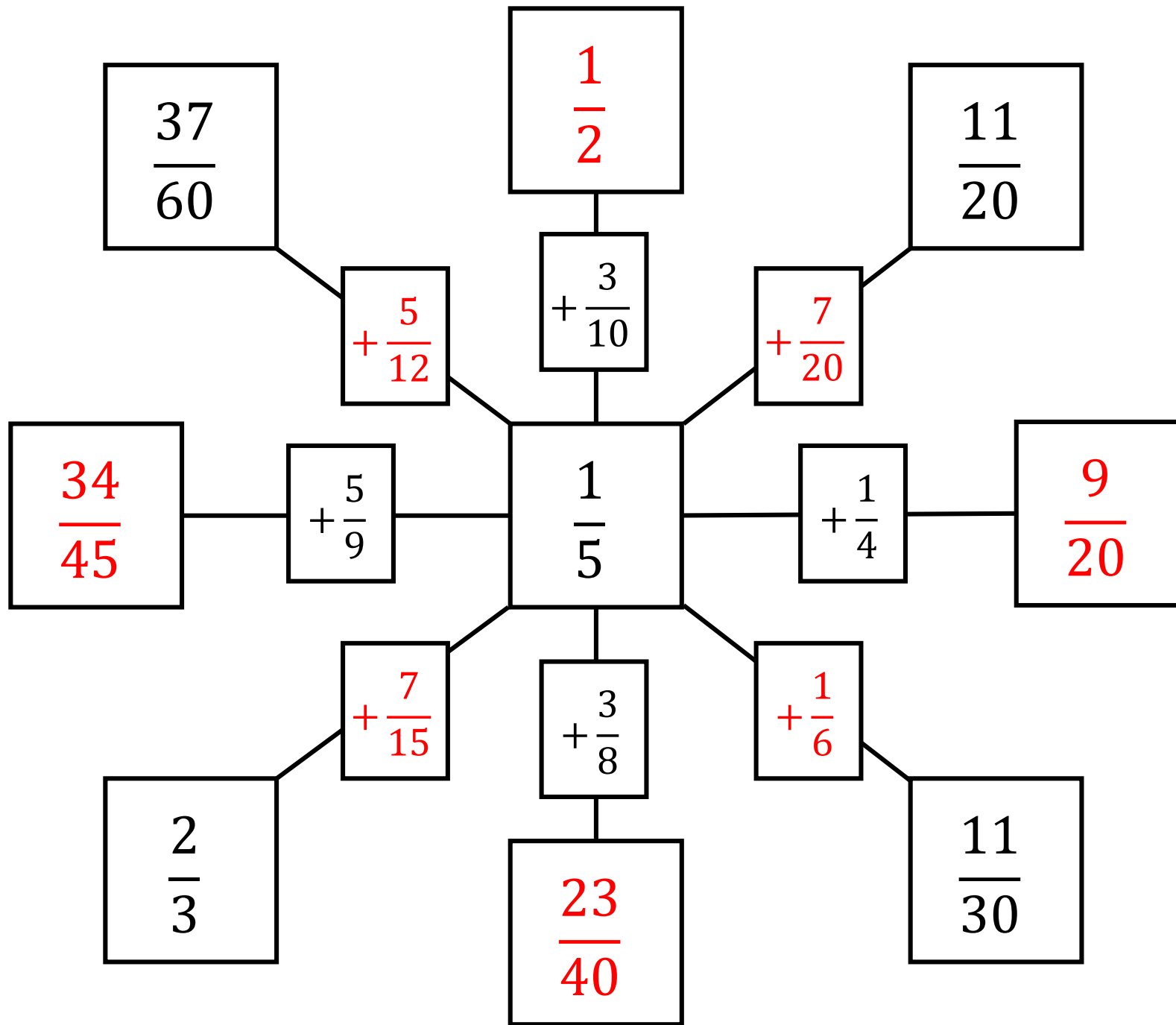
***Fraction
Spider 1
Answers***



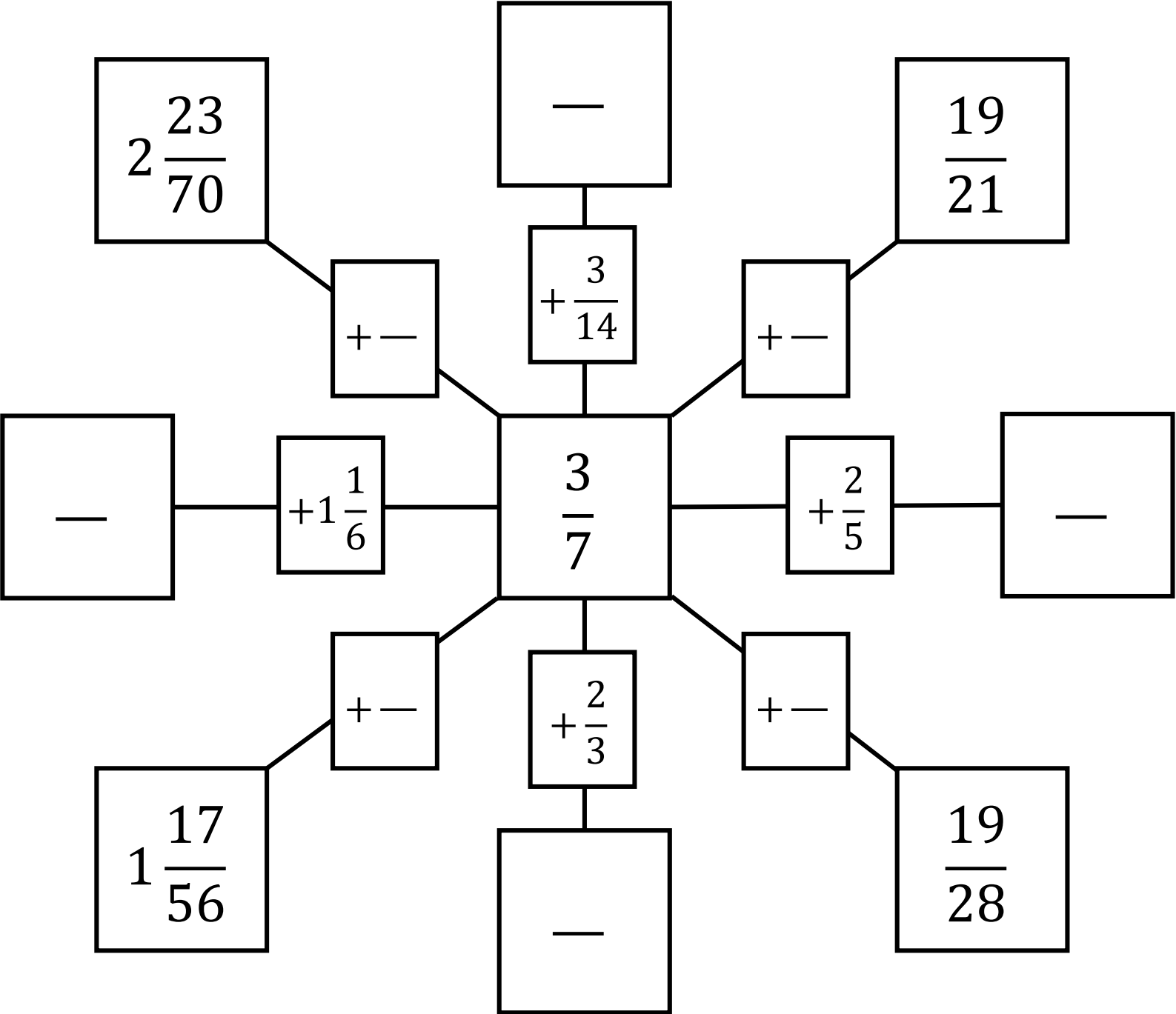
***Fraction
Spider 2***



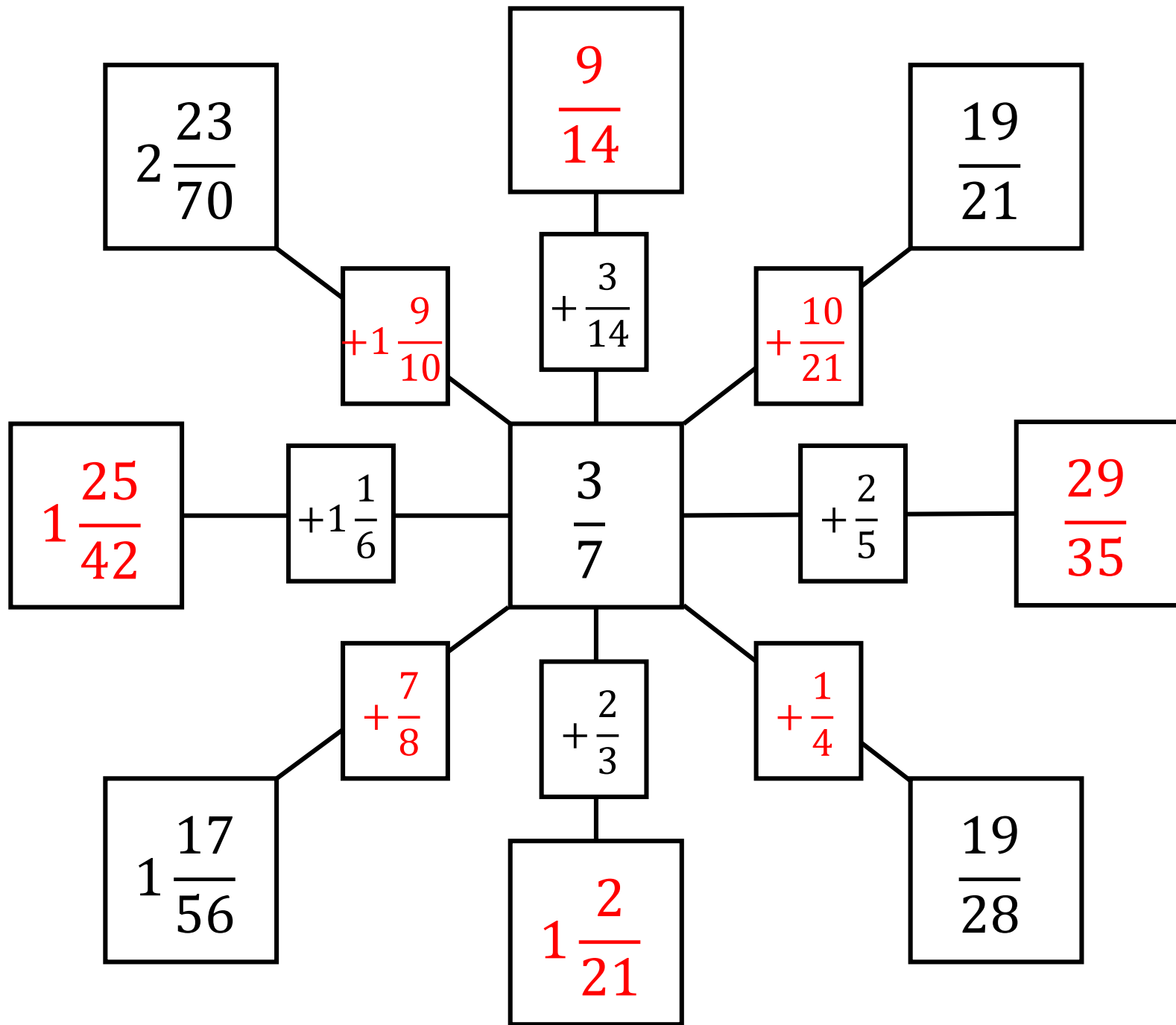
***Fraction
Spider 2
Answers***



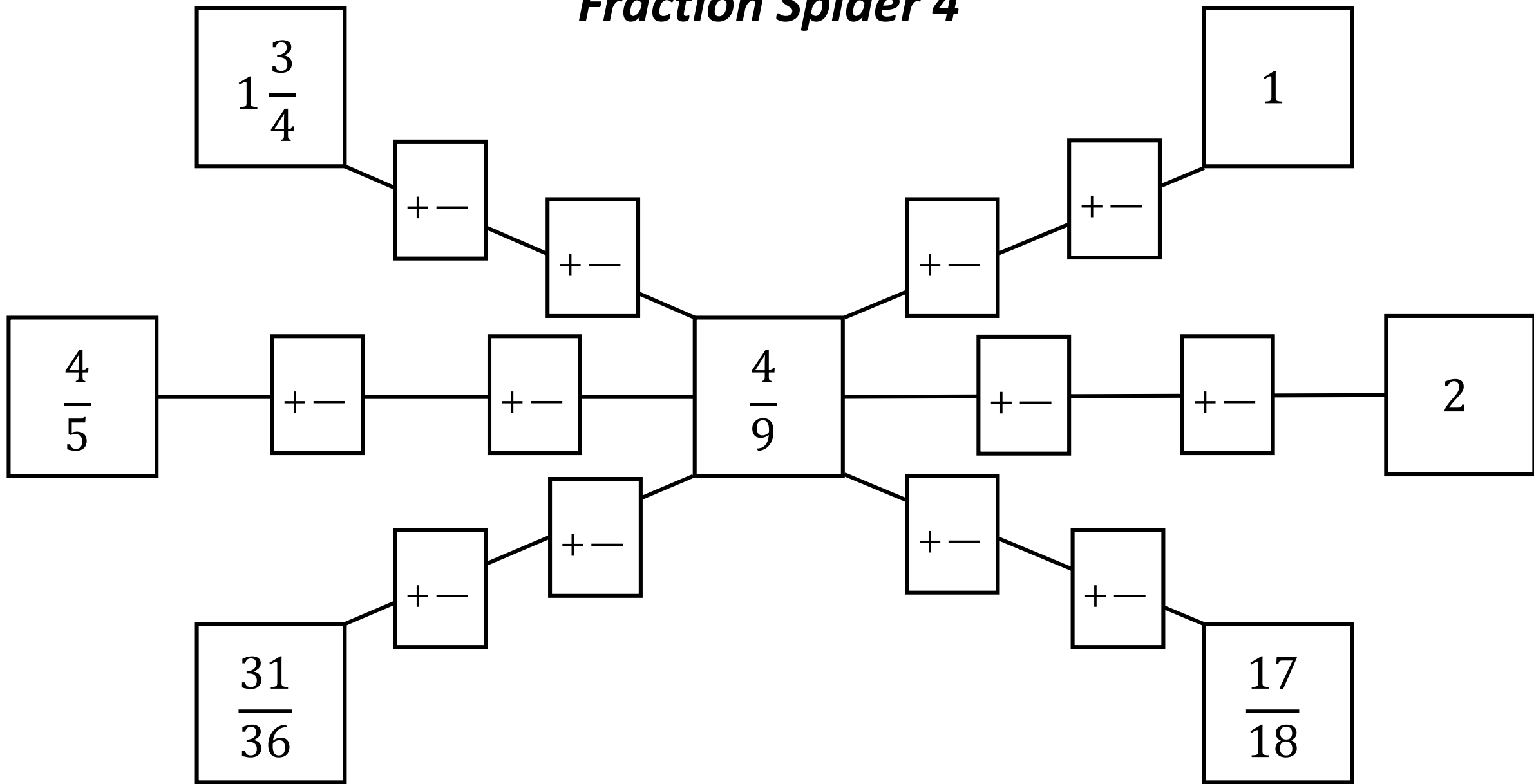
***Fraction
Spider 3***



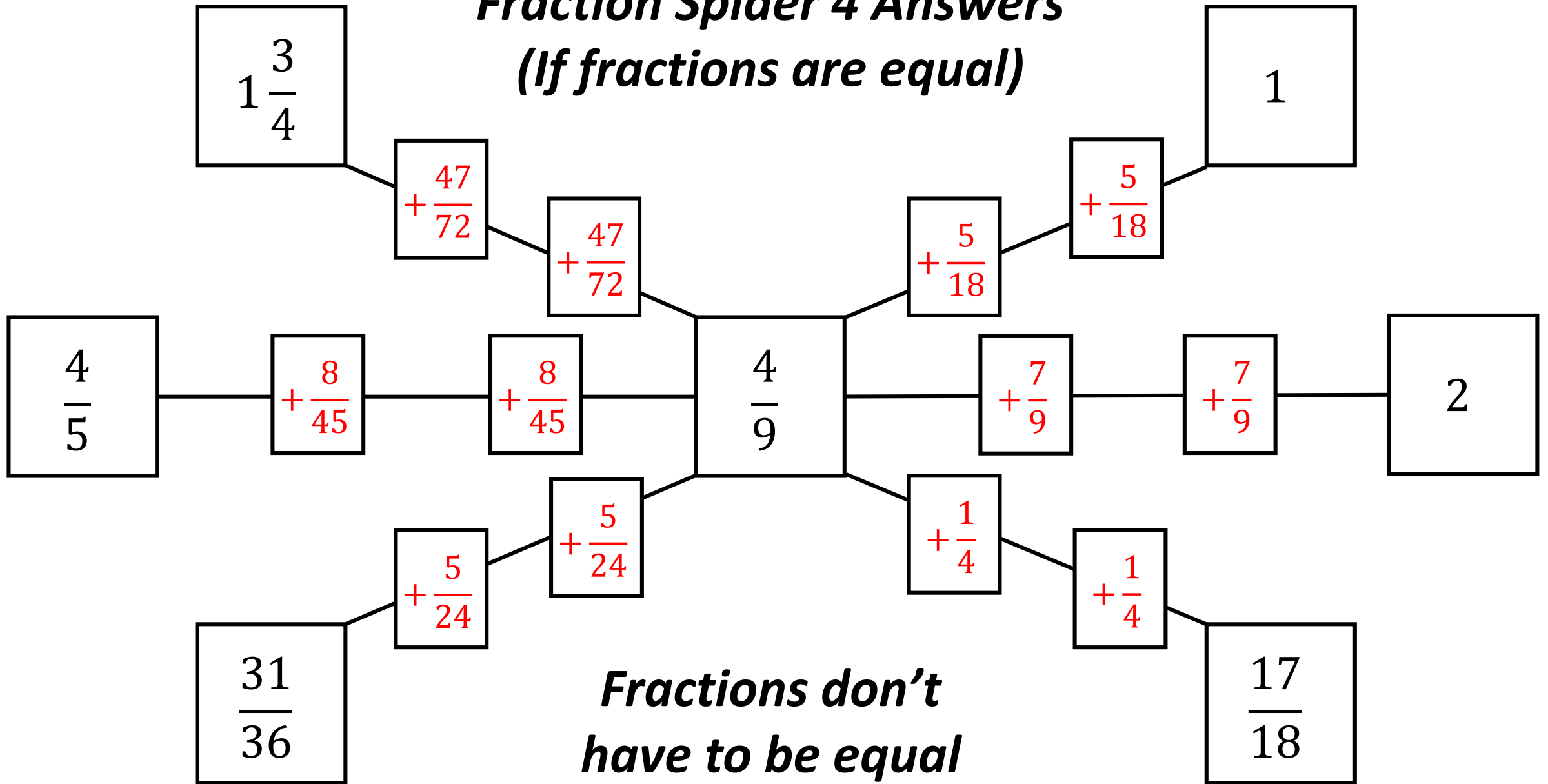
***Fraction
Spider 3
Answers***



Fraction Spider 4



Fraction Spider 4 Answers
(If fractions are equal)



***Fraction
Spider - Blank***

