

## GCSE (9–1) Mathematics

J560/04 Paper 4 (Higher Tier)

Thursday 2 November 2017 – Morning

Time allowed: 1 hour 30 minutes



**You may use:**

- A scientific or graphical calculator
- Geometrical instruments
- Tracing paper



First name										
Last name										
Centre number						Candidate number				

### INSTRUCTIONS

- Use black ink. You may use an HB pencil for graphs and diagrams.
- Complete the boxes above with your name, centre number and candidate number.
- Answer **all** the questions.
- Read each question carefully before you start to write your answer.
- Where appropriate, your answers should be supported with working. Marks may be given for a correct method even if the answer is incorrect.
- Write your answer to each question in the space provided.
- If additional space is required, you should use the lined page(s) at the end of this booklet. The question number(s) must be clearly shown.
- Do **not** write in the barcodes.

### INFORMATION

- The total mark for this paper is **100**.
- The marks for each question are shown in brackets [ ].
- Use the  $\pi$  button on your calculator or take  $\pi$  to be 3.142 unless the question says otherwise.
- This document consists of **20** pages.

Answer **all** the questions.

1 Donald swims 3 lengths of a swimming pool in 93 seconds.

(a) Use this information to show that he could swim 100 lengths in under 55 minutes. [4]

(b) What assumption did you make in part (a)?

.....  
..... [1]

(c) Donald tries to swim the 100 lengths in under 55 minutes.

Suggest one reason why he might not achieve this.

.....  
..... [1]

2 (a) Simplify.

(i)  $a^6 \div a^2$

(a)(i) ..... [1]

(ii)  $(b^5)^3$

(ii) ..... [1]

(b) Factorise.

$6x - x^2$

(b) ..... [1]

3

3 Four points A, B, C and D are shown on the scale diagram below.



Scale: 1 cm represents 5 m

(a) On the diagram, construct and mark the two points that are

- the same distance from A and B and
- 15m from C.

Show all your construction lines.

[5]

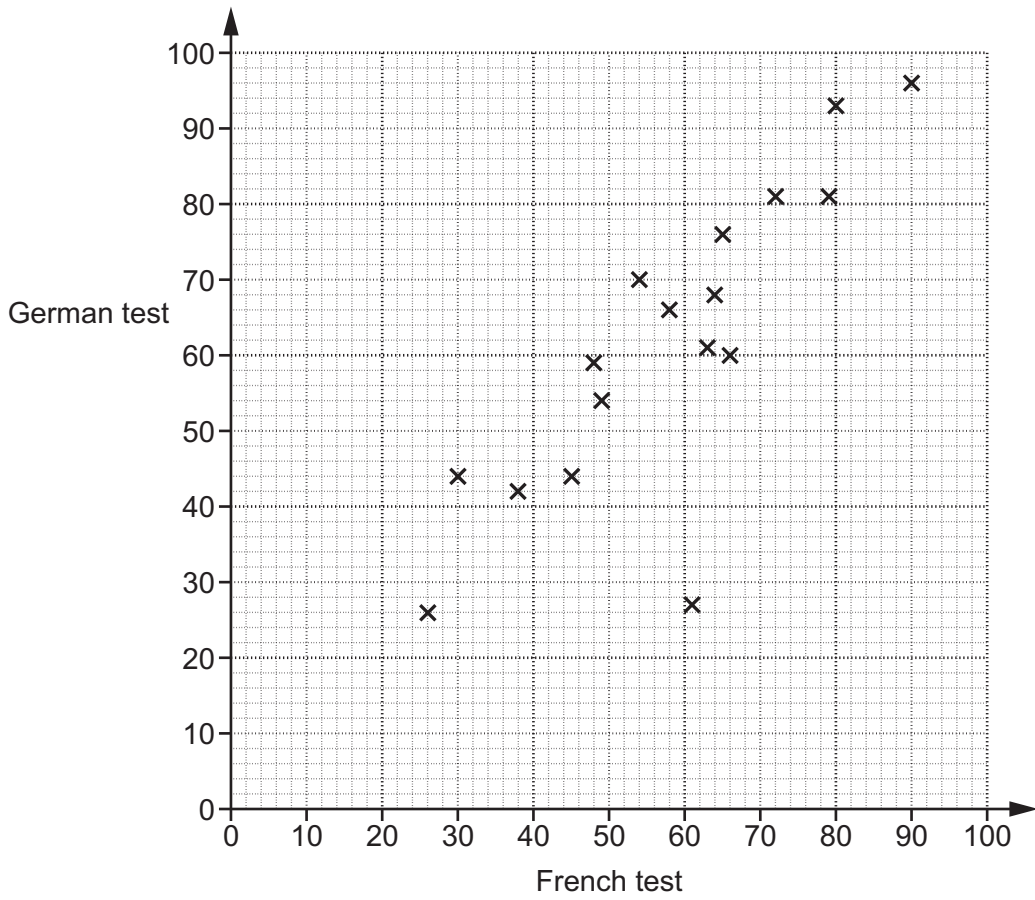
(b) The points A, B, C and D represent the four corners of Monty's garden. His garden is bounded by four straight fences A to B, B to C, C to D and D to A.

Monty wants to plant a tree in his garden at a place that satisfies the two conditions in part (a).

Explain why there is only one position where Monty can plant his tree.

.....  
..... [1]

- 4 The scatter diagram shows the results of 17 students in their French test and their German test. Both tests are out of 100.



- (a) Here are the results of another 4 students.

French	21	75	48	53
German	30	78	46	61

Plot these results on the scatter diagram.

[2]

- (b) Describe the type and strength of the correlation shown in this diagram.

(b) ..... [2]

5

- (c) Work out the percentage of the students whose German result was **higher** than their French result.

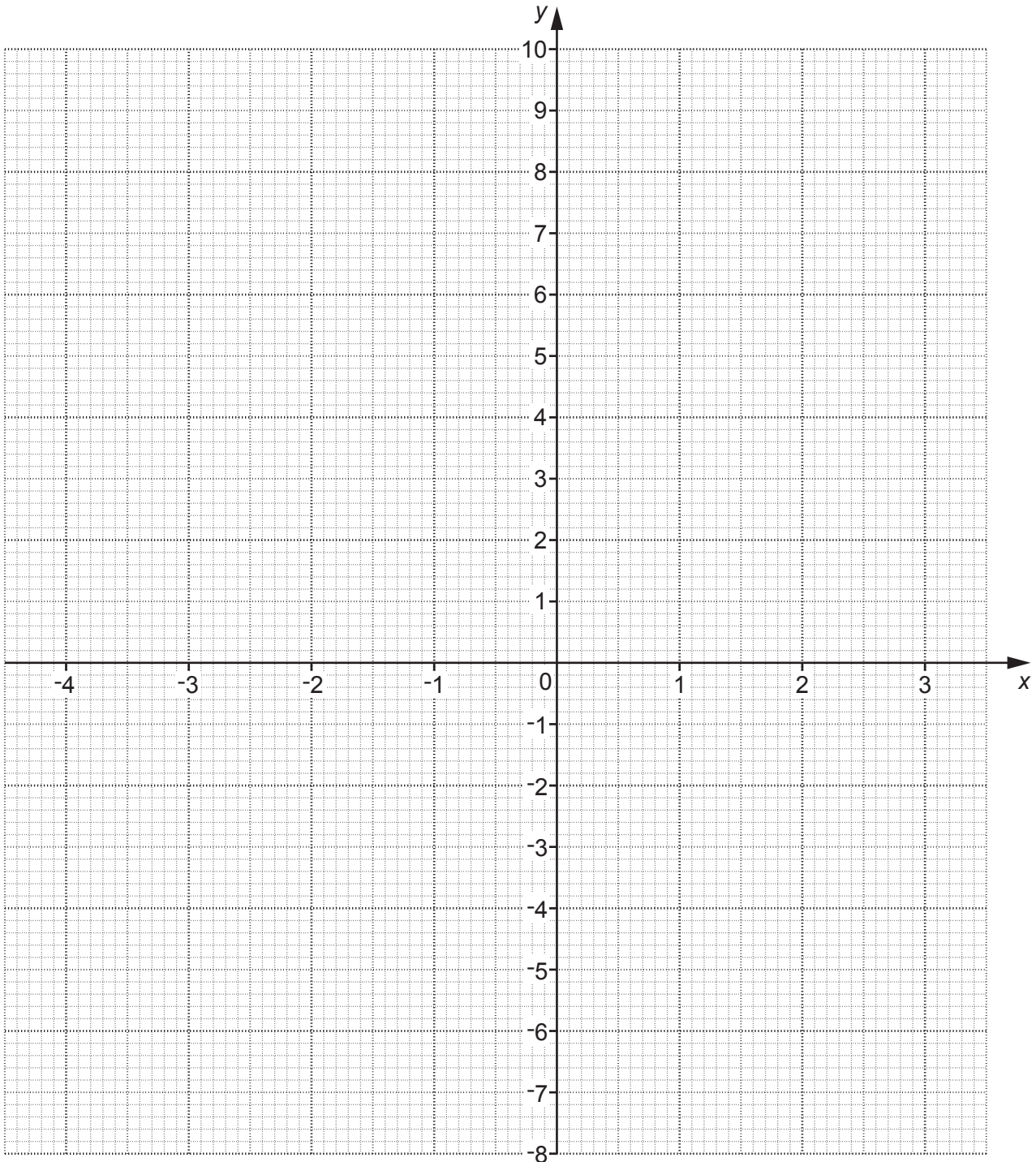
(c) ..... % [4]

- 5 (a) Complete this table for  $y = x^2 + x - 4$ .

x	-4	-3	-2	-1	0	1	2	3
y		2		-4	-4		2	

[2]

- (b) Draw the graph of  $y = x^2 + x - 4$  for  $-4 \leq x \leq 3$ .



[3]

(c) Use your graph to solve  $x^2 + x - 4 = 0$ .

(c)  $x = \dots\dots\dots$  or  $x = \dots\dots\dots$  [2]

(d) On the same grid, draw the graph of  $y = -2x - 1$  for  $-4 \leq x \leq 3$ .  
You may use the table if you wish.

x	-4		
y	7		

[3]

(e) Use your graphs to solve the equation  $x^2 + x - 4 = -2x - 1$ .

(e)  $x = \dots\dots\dots$  or  $x = \dots\dots\dots$  [2]

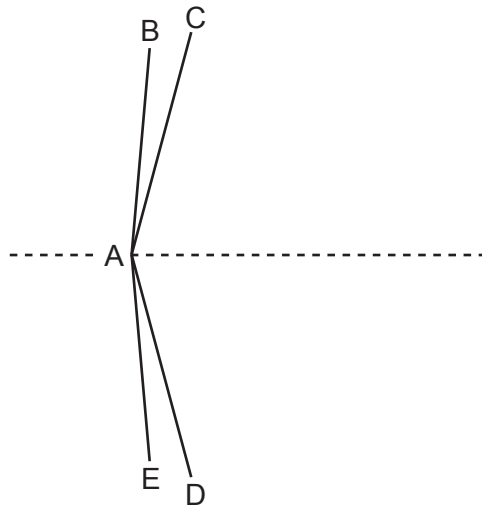
- 6 Maria mixes white paint and red paint in the ratio 2 : 3.  
She makes a total of 15 litres of paint.

How much more red paint does she need to add to the mixture so that the ratio of white paint to red paint becomes 1 : 5?

..... litres **[4]**



- 7 Angle BAE is part of a regular 18-sided polygon.  
 Angle CAD is part of a regular 10-sided polygon.  
 The dashed line through A is a line of symmetry of both polygons.



**Not to scale**

Work out angle BAC.

..... ° [5]

- 8 Diners choose one starter and one main from the options given in the table below. Vegetarian dishes are indicated with a (v).

Starter	Main
Cheese salad (v)	Steak and chips
Prawn cocktail	Fish and chips
Mozzarella sticks (v)	Tomato pizza (v)
	Pork chops
	Nut cutlet (v)

- (a) Work out the fraction of all the meal combinations which have at least one vegetarian option.

(a) ..... [3]

- (b) Diners also choose one of 6 dessert options.

How many different three-course meal combinations are available?

(b) ..... [2]

9 Here are the results of a survey of 437 people in a town.

- 62 males speak Spanish.
- 153 females do not speak Spanish.
- 280 people do not speak Spanish.

Jeff says

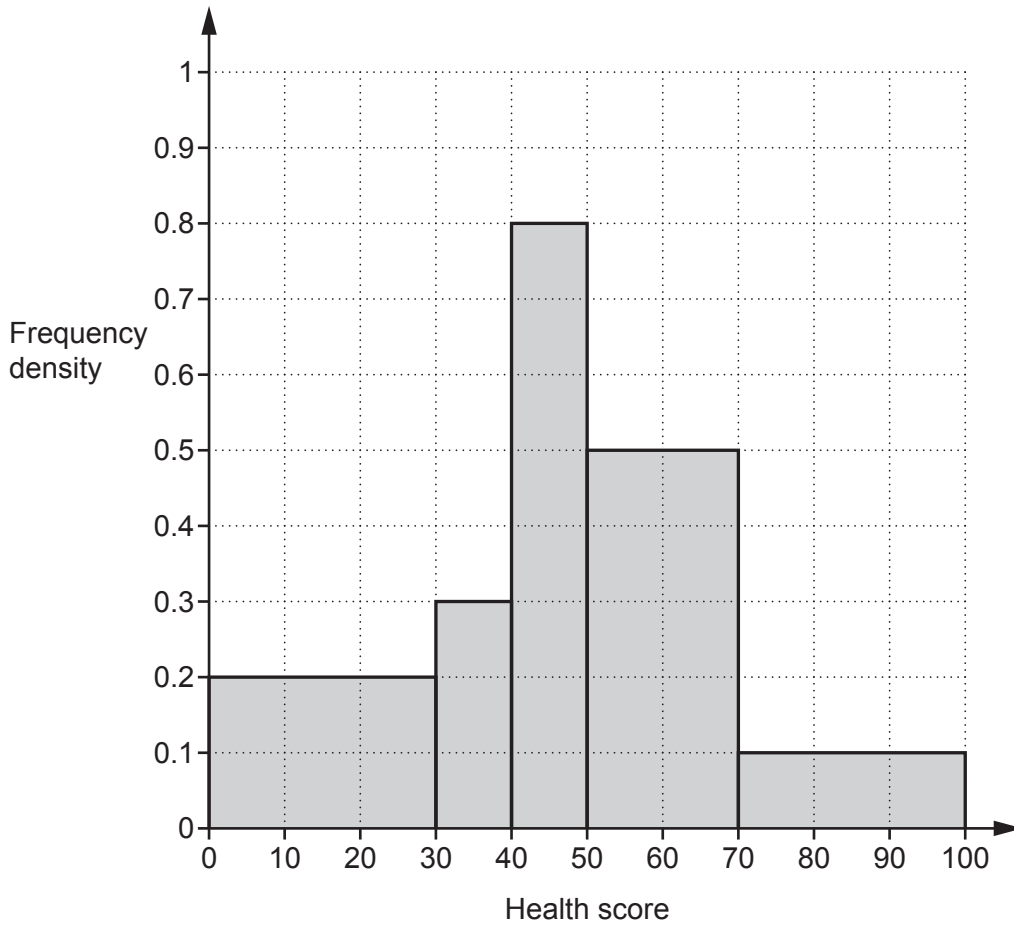
At least 2 out of every 5 females in the town can speak Spanish.

Is he correct?

Show clearly how you reached your decision.

..... [6]

10 The histogram summarises a health score for a group of people.



(a) Estimate the fraction of the group who had a score of 45 or more.

(a) ..... [4]

(b) What assumption did you make in answering part (a)?

.....  
 ..... [1]

11  $y$  is inversely proportional to  $x^2$  and  $y = 5$  when  $x = 4$ .

Find a formula linking  $x$  and  $y$ .

..... [3]

12 A log is 18m long, correct to the nearest metre.

It is to be cut into fence posts which must be 80 cm long, correct to the nearest 10 centimetres.

What is the largest number of fence posts that can possibly be cut from this log?

..... [4]

13 (a) Solve.

$$x^2 - 6x + 15 = 3x - 5$$

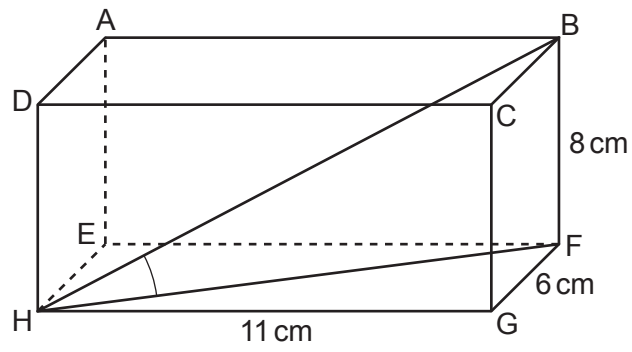
(a)  $x = \dots\dots\dots$  or  $x = \dots\dots\dots$  [4]

(b) Expand and simplify.

$$(2x - 1)(x + 5)(3x - 2)$$

(b)  $\dots\dots\dots$  [4]

14 The diagram shows a cuboid ABCDEFGH.



Calculate angle BHF.

..... ° [5]

- 15 Show that  $\frac{4 + 2\sqrt{5}}{\sqrt{5} - 1}$  can be simplified to  $\frac{3\sqrt{5} + 7}{2}$ . [4]

- 16 (a) Write  $x^2 - 6x + 20$  in the form  $(x - a)^2 + b$ .

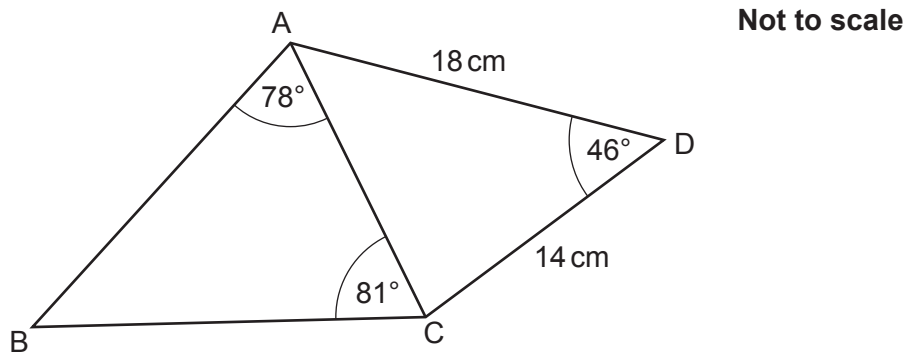
(a) ..... [3]

- (b) Write down the turning point of the graph of  $y = x^2 - 6x + 20$ .

(b) (..... , .....) [2]



17 ABC and ACD are triangles.



(a) Show that  $AC = 13.0$  cm, correct to 3 significant figures.

[4]

(b) Calculate BC.

(b) ..... cm [3]

- 18 Solve this equation algebraically.  
Give your solutions correct to 2 decimal places.

$$3x^2 + 5x - 1 = 0$$

$$x = \dots\dots\dots \text{ or } x = \dots\dots\dots [4]$$

**END OF QUESTION PAPER**

**ADDITIONAL ANSWER SPACE**

If additional space is required, you should use the following lined page(s). The question number(s) must be clearly shown in the margin(s).

A large area of lined paper for writing. It features a vertical margin line on the left side and horizontal dotted lines for writing. The lines are evenly spaced and extend across the width of the page.

A large area of the page is reserved for writing, featuring a vertical solid line on the left side and horizontal dotted lines extending across the page.



**Copyright Information**

OCR is committed to seeking permission to reproduce all third-party content that it uses in its assessment materials. OCR has attempted to identify and contact all copyright holders whose work is used in this paper. To avoid the issue of disclosure of answer-related information to candidates, all copyright acknowledgements are reproduced in the OCR Copyright Acknowledgements Booklet. This is produced for each series of examinations and is freely available to download from our public website ([www.ocr.org.uk](http://www.ocr.org.uk)) after the live examination series.

If OCR has unwittingly failed to correctly acknowledge or clear any third-party content in this assessment material, OCR will be happy to correct its mistake at the earliest possible opportunity.

For queries or further information please contact the Copyright Team, First Floor, 9 Hills Road, Cambridge CB2 1GE.

OCR is part of the Cambridge Assessment Group; Cambridge Assessment is the brand name of University of Cambridge Local Examinations Syndicate (UCLES), which is itself a department of the University of Cambridge.